



ORIGINAL



**Commonwealth Utilities Corporation
Office of the Executive Director**

INVITATION FOR BID

CUC-IFB-15-010

WATERLINE REPAIRS FOR LEAK DETECTION

ADDENDUM NO. 1

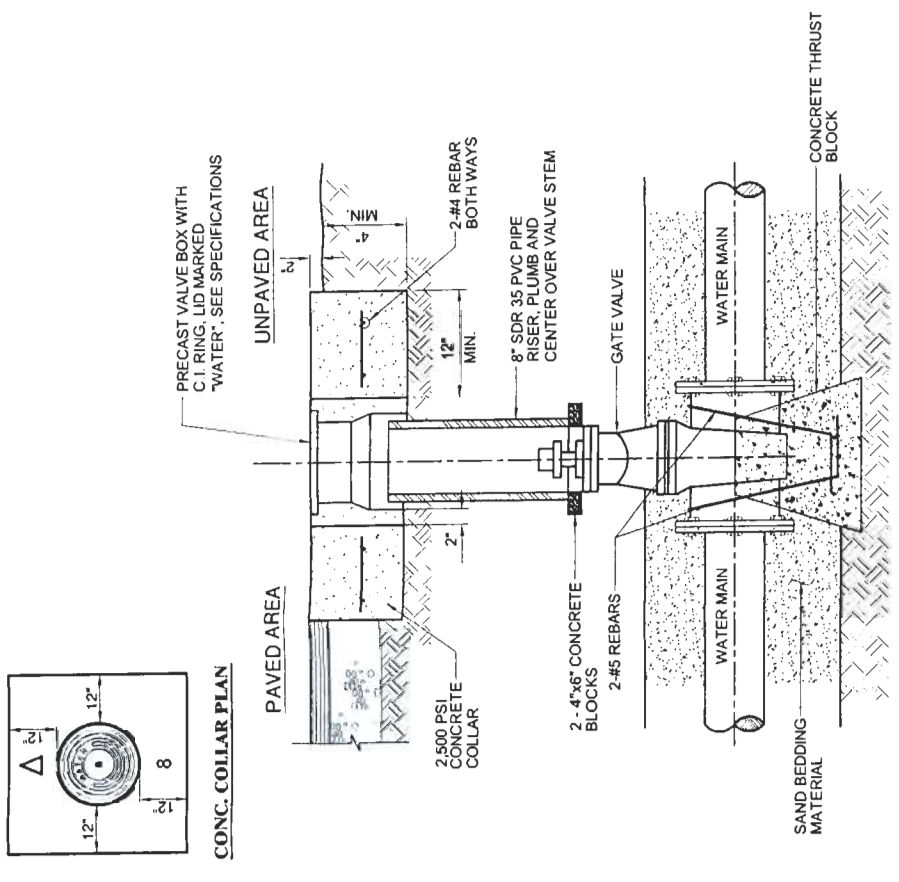
Dated: February 06, 2015

The Commonwealth Utilities Corporation (CUC) is hereby notifying registered prospective bidders of the following revisions to CUC-IFB-15-010:

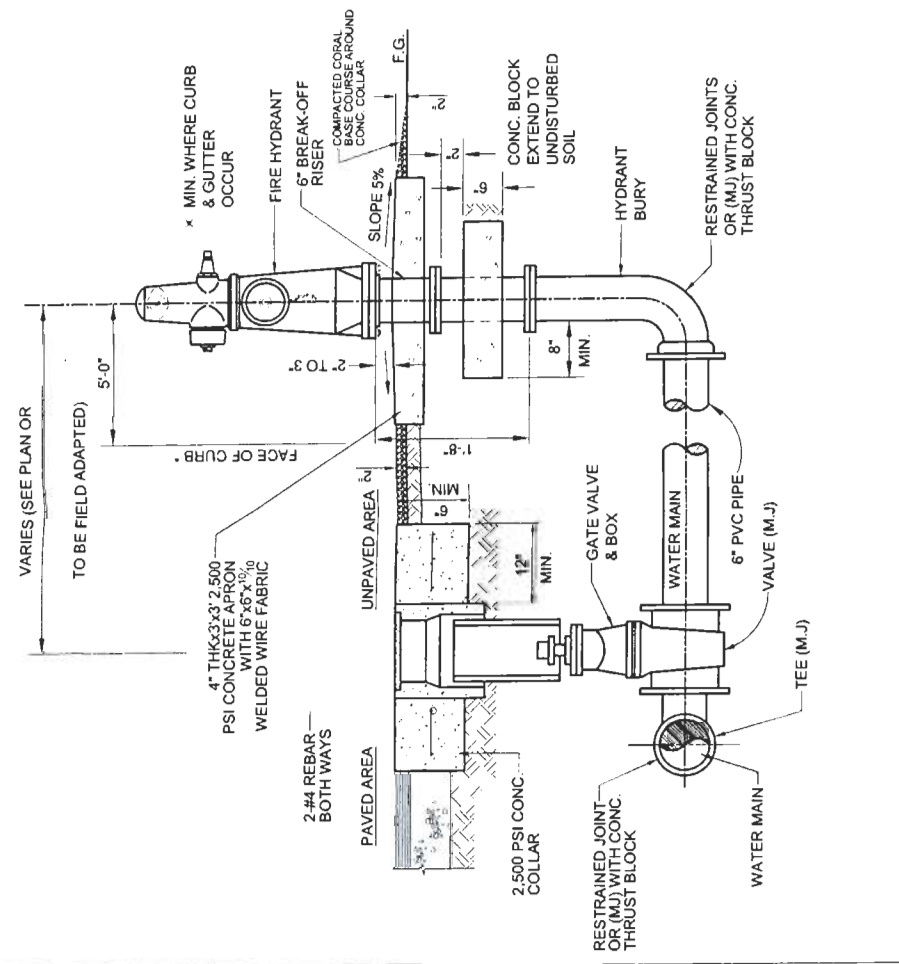
The attached sheet C-3 shall replace the detail for 3/C-3. The detail is a typical detail for a gate valve assembly.

All other terms and conditions in the Scope of Work, shall remain unchanged and in full force.

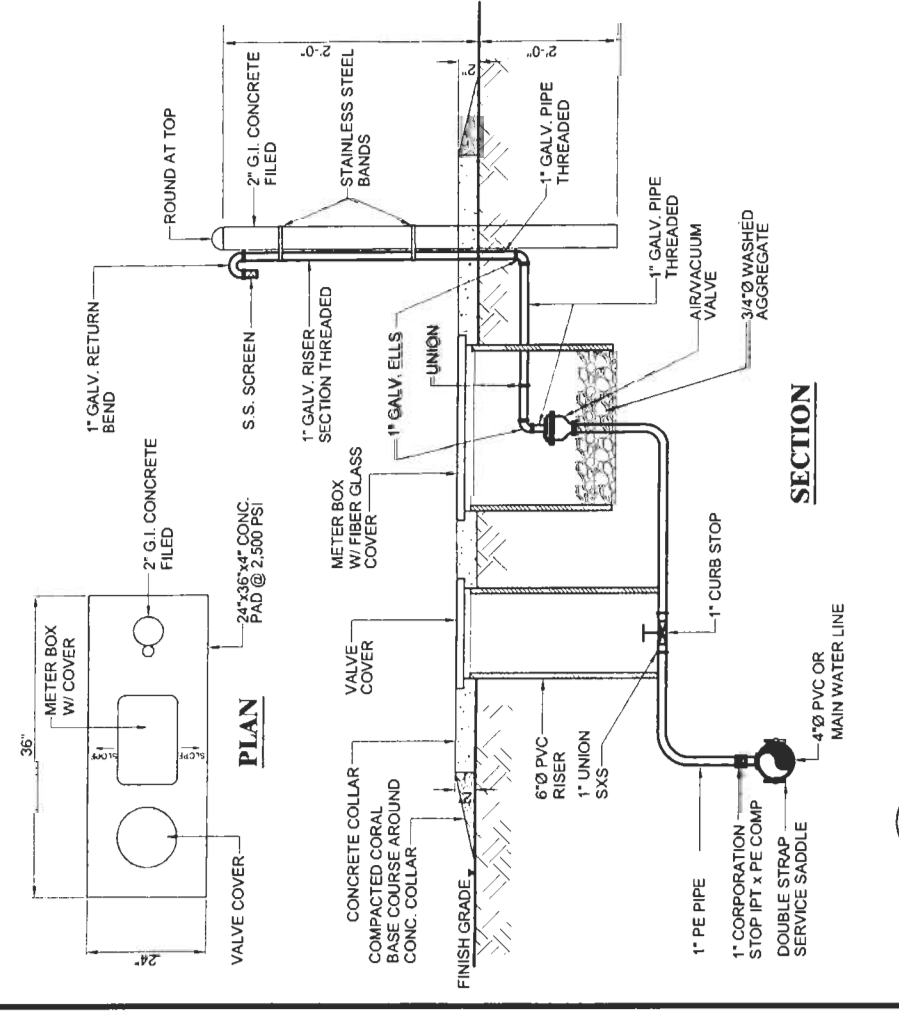
**ALAN FLETCHER
Executive Director**



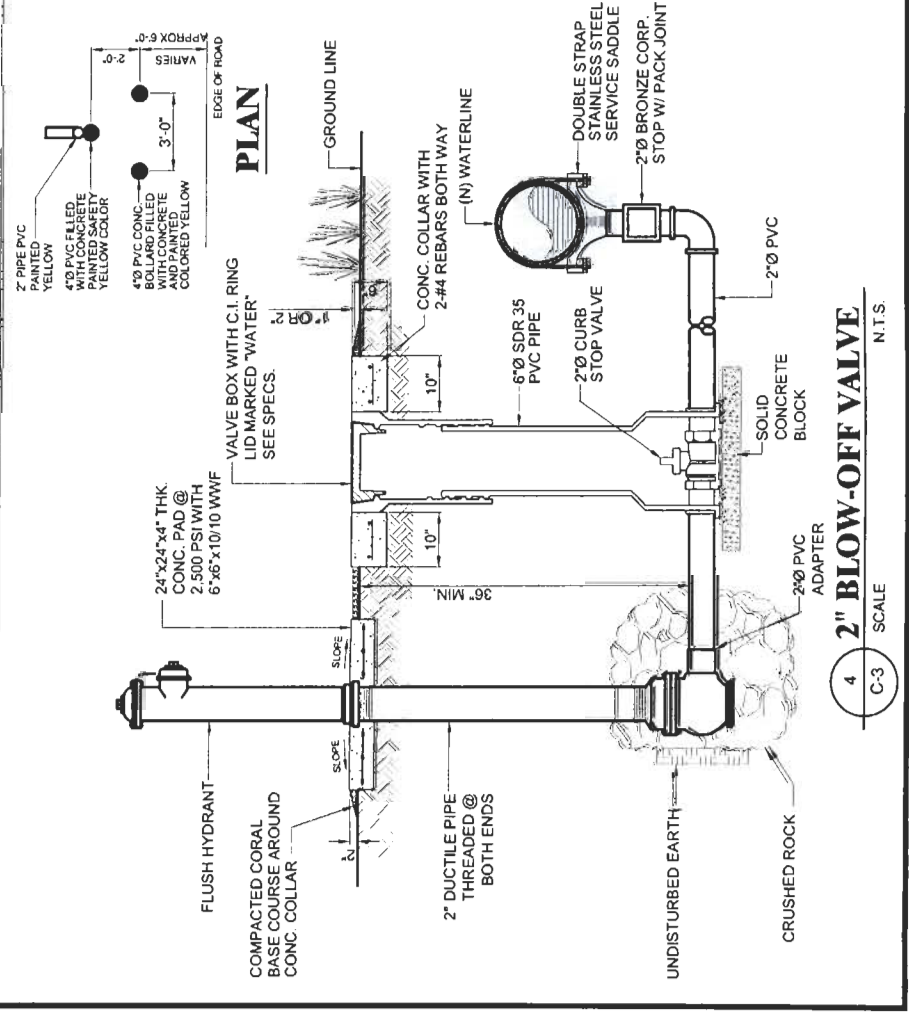
3 GATE VALVE DETAIL
SCALE C-3
N.T.S.



2 FIRE HYDRANT DETAIL
SCALE C-3
N.T.S.



1 AIR/VACUUM RELEASE VALVE ASSEMBLY
SCALE C-3
N.T.S.



4 2\"/>

REVISION	DESCRIPTION	APPROVED	DATE
3/C-3	GATE VALVE DETAIL	[Signature]	8/15
COMMONWEALTH UTILITIES CORPORATION MP 96950			
DESIGNED: Y.E.C.	DRAWN: ISMAEL	PROJECT TITLE: WATERLINE REPAIRS FOR LEAK DETECTION	
CHECKED: Y.E.C.	SUPERVISED: J.P.R.	CONTENT:	
ENGINEER	DATE	CIVIL DETAILS	
JOHN P. RIEGEL, P.E. CHIEF ENGINEER	DATE	THIS WORK WAS PREPARED BY ME OR UNDER MY SUPERVISION	
ALAN W. FLETCHER EXECUTIVE DIRECTOR	DATE	SCALE: NONE	DATE: 09-25-2014
C-3	CODE NO.	SHEET	OF